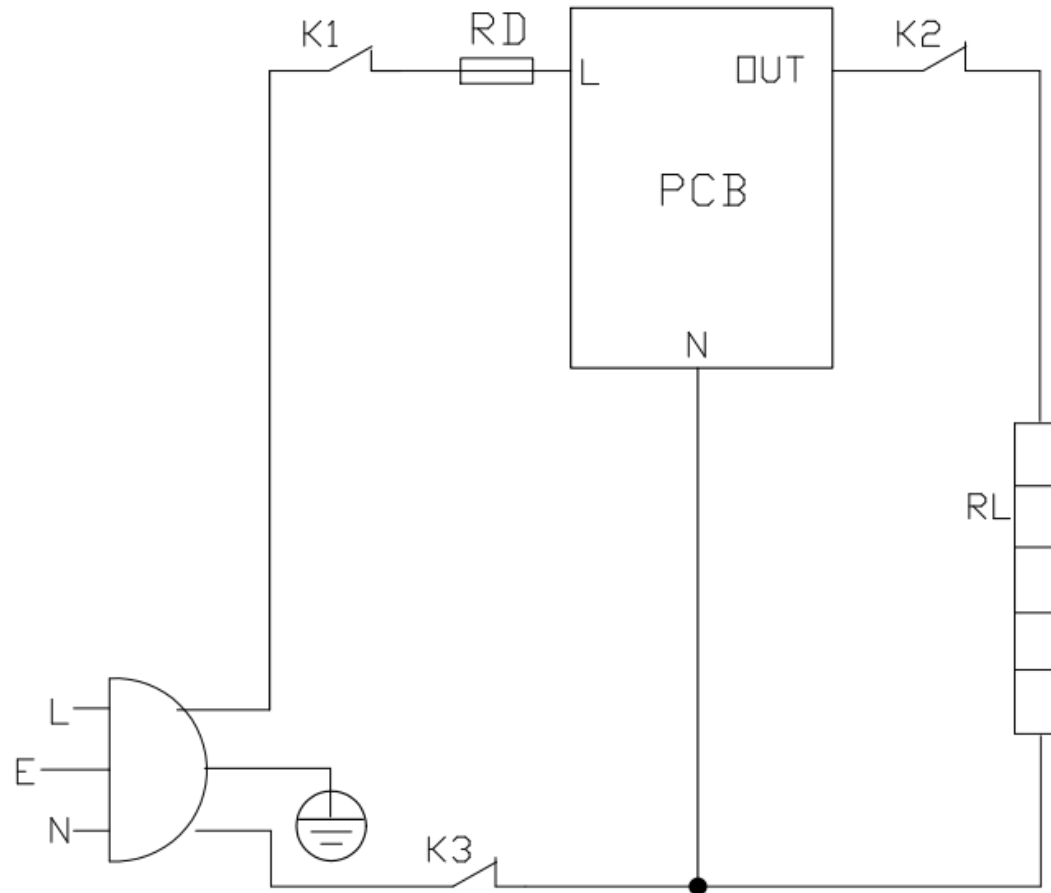


Machine	Explode	Code	Description
Buffalo Heat and Hold Soup Kettle 10Ltr	1	AC144	Lid Handle
Buffalo Heat and Hold Soup Kettle 10Ltr	2		S/S Lid
Buffalo Heat and Hold Soup Kettle 10Ltr	3	N289	S/S Inner Pot
Buffalo Heat and Hold Soup Kettle 10Ltr	4	AS612	Handle for Top Collar
Buffalo Heat and Hold Soup Kettle 10Ltr	5		Top Collar
Buffalo Heat and Hold Soup Kettle 10Ltr	6		Top Cover
Buffalo Heat and Hold Soup Kettle 10Ltr	7	AS613	Silicone Ring
Buffalo Heat and Hold Soup Kettle 10Ltr	8	AS614	Internal Aluminium Container
Buffalo Heat and Hold Soup Kettle 10Ltr	9	AS615	Temperature Sensor
Buffalo Heat and Hold Soup Kettle 10Ltr	10	AS616	216°C Fuse
Buffalo Heat and Hold Soup Kettle 10Ltr	11	AS617	95°C Thermostat
Buffalo Heat and Hold Soup Kettle 10Ltr	12		Housing
Buffalo Heat and Hold Soup Kettle 10Ltr	13	AN074	UK Power Cord
Buffalo Heat and Hold Soup Kettle 10Ltr	14	AS618	On/Off Switch
Buffalo Heat and Hold Soup Kettle 10Ltr	15	AN649	Power Cord Clip
Buffalo Heat and Hold Soup Kettle 10Ltr	16	AS619	PCB Box Cover
Buffalo Heat and Hold Soup Kettle 10Ltr	17	AS620	PCB
Buffalo Heat and Hold Soup Kettle 10Ltr	18	AS621	PCB Box
Buffalo Heat and Hold Soup Kettle 10Ltr	19	AS622	Decal
Buffalo Heat and Hold Soup Kettle 10Ltr	20		Bottom Cover With Screws
Buffalo Heat and Hold Soup Kettle 10Ltr	21	AC641	Plastic Feet (set 4)

Circuit Diagram



- 1. K1 -Power supply
- 2. K2 -Automatic Thermostat
- 3. K3 -Temperature limit controller
- 4. PCB -Printed circuit board
- 5. RL -Heating
- 6. RD -Thermal link